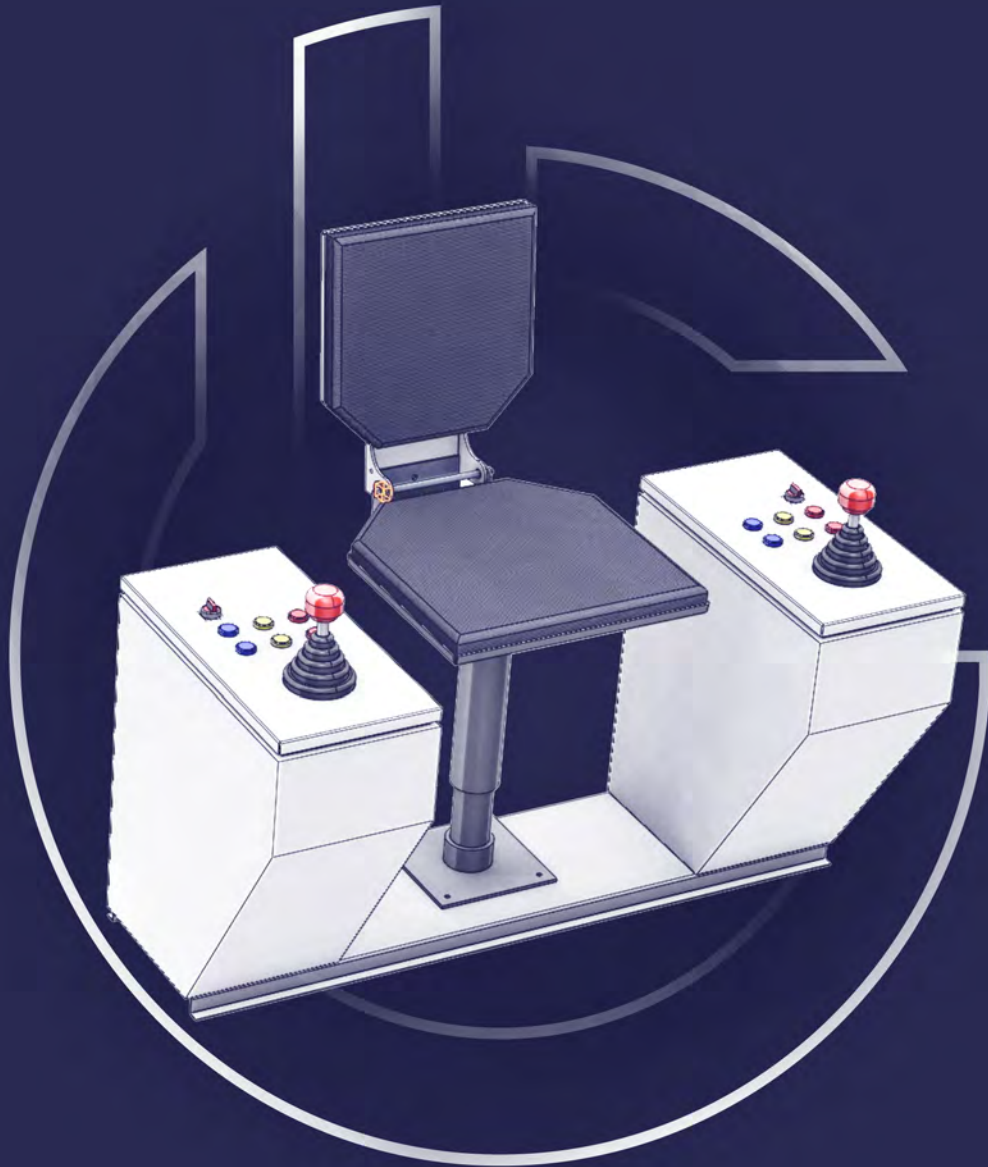


EFFECTIVE CONTROL FOR INDUSTRIAL APPLICATIONS



CS04
Operator Control Seat

TECHNICAL PROPERTIES



SEAT

MECHANICAL SUSPENSION	STANDARD
80 MM VERTICAL SUSPENSION STROKE	STANDARD
VINYL-COATED	STANDARD

CONSOLES

RAL 7035 COLOR	STANDARD
WIDTH 250 MM	STANDARD
BLIND TOP PLATES	STANDARD
SHEET METAL THICKNESS 1,5 MM	STANDARD
CONSOLE WIDTH 200/320 MM	OPTIONAL
PRE-DRILLED TOP PLATES	OPTIONAL

EQUIPMENTS

REVOLVING TABLE	OPTIONAL
SWIVELING PANEL RH SIDE	OPTIONAL
SWIVELING PANEL LH SIDE	OPTIONAL
MASTER CONTROLLERS	OPTIONAL
CONTROL COMPONENTS	OPTIONAL
HEATER	OPTIONAL

FOR BUSINESS ON THE GO ERGONOMICS

Operator control panels are used in various systems such as crane systems manipulators and construction machines.

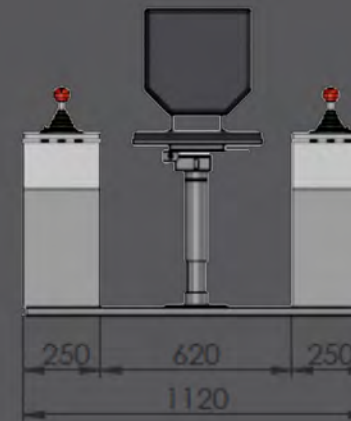
Main features of a well designed cabin should include, suitable mechanical structure for aggressive working conditions, the panoramic structure to ensure optimum field of view and prioritizing the operator's job is to provide the ergonomic health conditions.

Depending on the studies carried out on the driver's cabins, wrong designed cabin seats cause back pain due to whole body vibration. Depending on wrong panoramic design operators may faced with neck hernia. In addition, inadequate thermal and sound insulation may cause several physical and psychological damages.

Control panels are produced in various models depending on the applications. The control arms (the "joystick " s) and buttons are placed appropriately according customer demands and the seating position.

If you transmit to us electric schemes, we able to prepare control knobs and buttons as a turnkey product

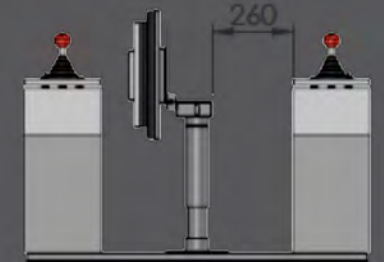
POSITION 1



POSITION 2



POSITION 3

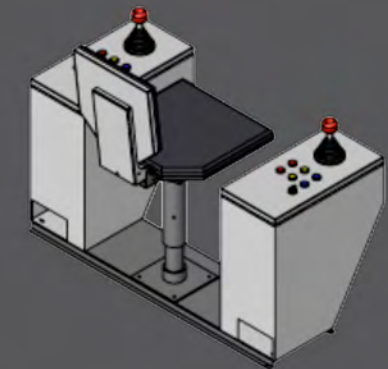
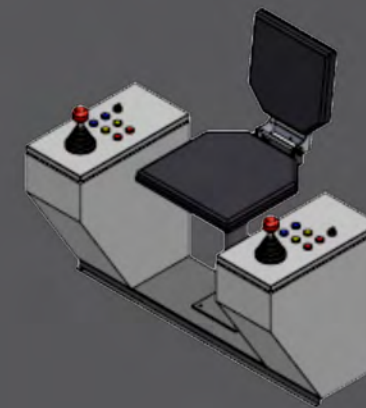
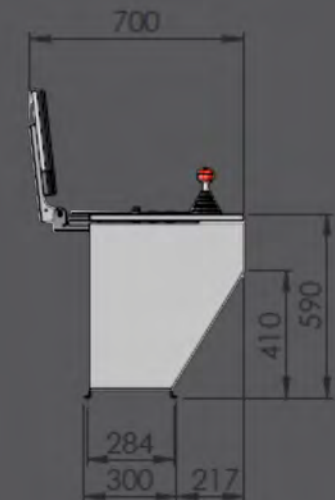
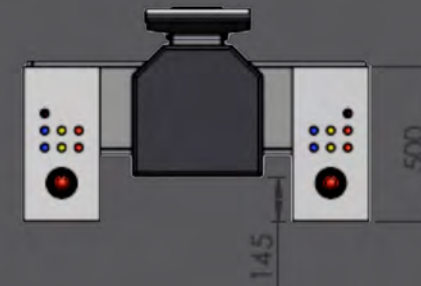


IMPROVE THE WORKING ENVIRONMENT

By adding some additional equipments, you can improve the working environment of crane operator.

BEST WAY TO MODERNIZATION

If you transmit to us electric schemes, we able to prepare control knobs and buttons as a turnkey product.





 GL MAKINA

GL Makina Ltd. Co.
T. +90 312 395 63 17
F. +90 312 395 64 17

www.glmakina.com
info@glmakina.com