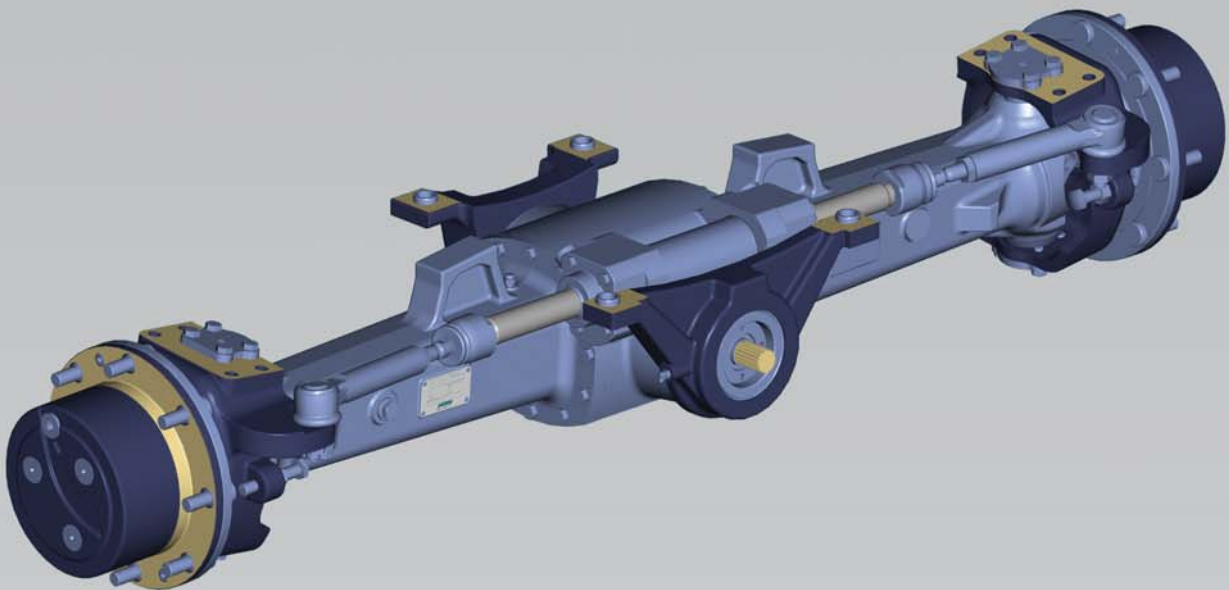
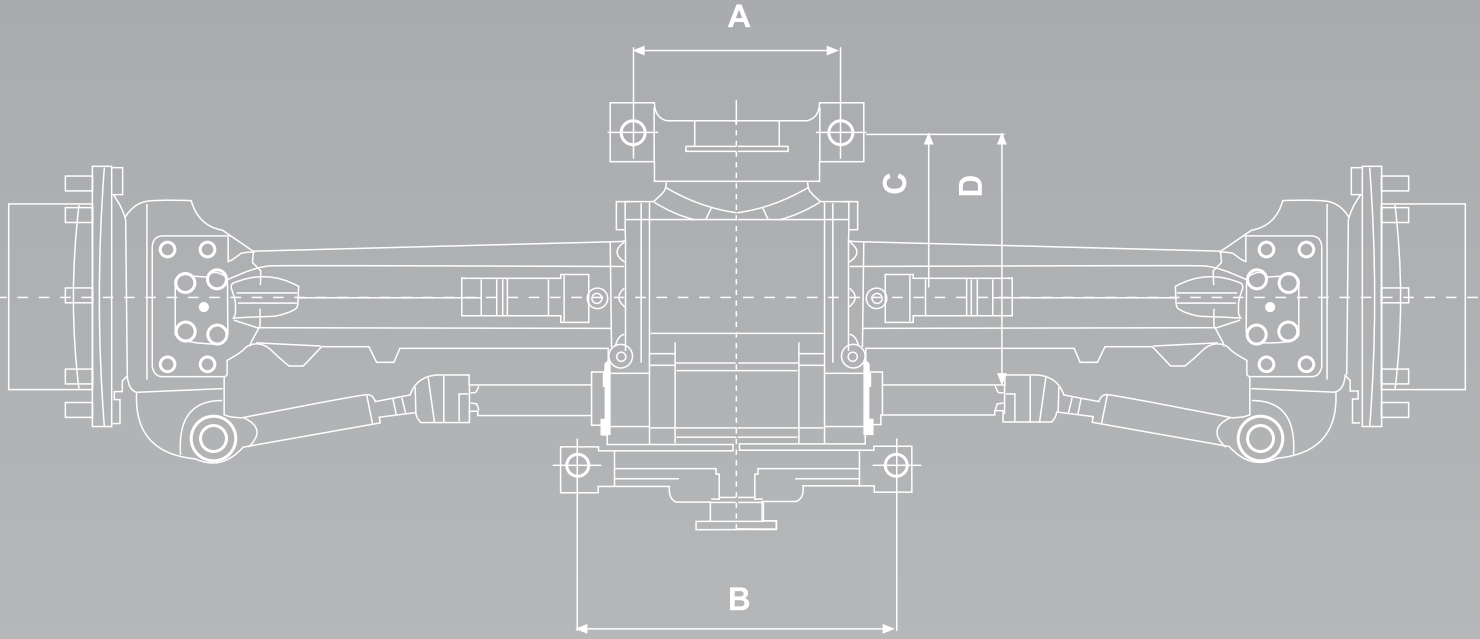




- Optimised steering geometry
- Up to 55° steering angles provide excellent manoeuvrability and reduced soil stress due to excellent steering geometry.
- Modular design, reduced numbers of components
- User friendly maintenance
- Excellent ground clearance

- Wide range of ratios to cover wide range of applications.
- Specially produced gears to provide durability and longer life span





HEMA NO	HFA200200M	HFA075200M	HFA100450M	HFA100650M	HFA200250M	HFA075250M	HFA200400M	HFA100350M
INPUT ENGINE POWER	100 HP	70 HP	100 HP	100 HP	100 HP	70 HP	100 HP	100 HP
FLANGE TO FLANGE	1610	1410	1610	1610	1610	1410	1610	1610
MAX. OVERALL DIMENSION	1830	1630	1830	1830	1830	1630	1830	1830
HUB DIAMETER	220,8	220,8	220,8	220,8	220,8	220,8	220,8	220,8
PCD	275	275	275	275	275	275	275	275
STEERING ANGLE	55 °	52 °	55 °	55 °	55 °	52 °	55 °	55 °
PEAK TORQUE	20000 Nm	20000 Nm	20000 Nm	20000 Nm	20000 Nm	20000 Nm	20000 Nm	20000 Nm
STEERING SENSOR	Optional	Optional	Optional	Optional	Optional	Optional	Optional	Optional
DIFFERENTIAL	Limited Slip System	Limited Slip System	Limited Slip System	Limited Slip System	Limited Slip System	Limited Slip System	Limited Slip System	Limited Slip System
TOTAL RATIO	15,73 / 1	15,73 / 1	15,73 / 1	19,2 / 1	13,86 / 1	13,86 / 1	19,2 / 1	16 / 1
OSCILLATION	± 12,5°	± 12,5°	± 12,5°	± 12,5°	± 12,5°	± 12,5°	± 12,5°	± 12,5°
ROTATION	CW	CW	CW / CCW	CCW	CW / CCW	CW / CCW	CW	CCW
A	276		260		250	250	260	260
B	230		398		250	250	398	398
C	104		200				200	200
D	374		402				402	402

**HEMA**  
**ENDÜSTRİ A.Ş.**

Organize Sanayi Bölgesi Çerkezköy / TEKİRDAĞ / TÜRKİYE

Tel: +90 282. 758 10 40 Fax: +90 282. 758 10 71

marketing@hattat.com.tr

[www.hemaendustri.com](http://www.hemaendustri.com)